



ZENNO

motorized blinds system



ZENNO

CONTENTS

- 02** Company profile
 - 03** ZENNO product overview
 - 04** MEGA BLDC tubular motor system
 - 06** DIANA motorized curtain rail system
 - 08** ECHO motorized honeycomb shades system
 - 10** ZENNO remotes and RS485 control
-

ABOUT US

SINCE
1974

BRAND NEW
MILESTONE

- 2008 acquired BLDC patents
- 2015.2018 attended R+T in Germany
- 2019 launched ZENNO
- 2020 registered ECHO honeycomb shades system



San Hsin – A team of artisans

Founded in 1974, San Hsin is completely skillful on customized production, aims to providing the most proper function, solid quality and valuable prices at full range of product categories.

ZENNO Plus & More

ZENNO, a manufacturer and supplier of motorized shading system in Taiwan, is the leading brand applying Brushless DC (BLDC) motor as core actuator on motorized system. Combination with different shades/blinds system accessories and control interfaces, ZENNO could fulfill almost every kinds of shades and blinds, accompanies the benefits of silent operation, durable rotation time, constant speed and higher torque output as well. The outstanding performance on accurate positioning and synchronous movement always wins praise in the project. Moreover the flexible and easy integrated RS485 motors enhance ZENNO to create noticeable features of function and control into both residential and commercial spaces.

ZENNO

precise · robust · silent · eco friendly



MEGA BLDC tubular motor system

1. Stable, high efficiency, accurate, big torque
2. Silent operation
3. Hall sensor positioning technology applied

Available for roller blinds, wooden venetian, roman shades, standard honeycomb shades, sheer shades



DIANA motorized curtain rail system

1. DC motor applied
2. Decorative rail and standard rail
3. Ceiling mount or wall mount

Available for pleated curtain, S-wave curtain, side open, central open



ECHO motorized TDBU honeycomb shades system

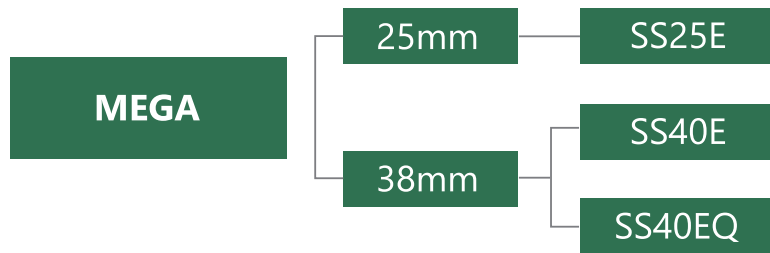
1. Dual BLDC motors applied
2. Both bottom rail and middle rail can move same direction or against direction simultaneously. intelligent detective to prevent rail collision
3. Wide range of dimension, min. width 75 cm, max. height 400 cm
4. Optional operation modes, RF remote, dry contact or RS485
5. Perfect alignment and synchronous movement among multiple shades

Available for 38mm and 45mm TDBU honeycomb shades





MEGA BLDC tubular motor system

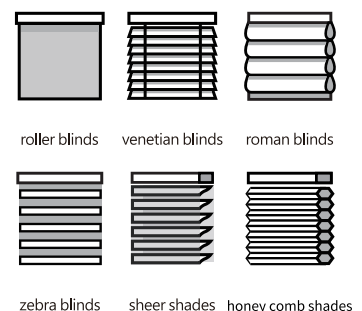


Available for

roller blinds, wooden venetian,
roman shades, sheer shades
standard honeycomb shades



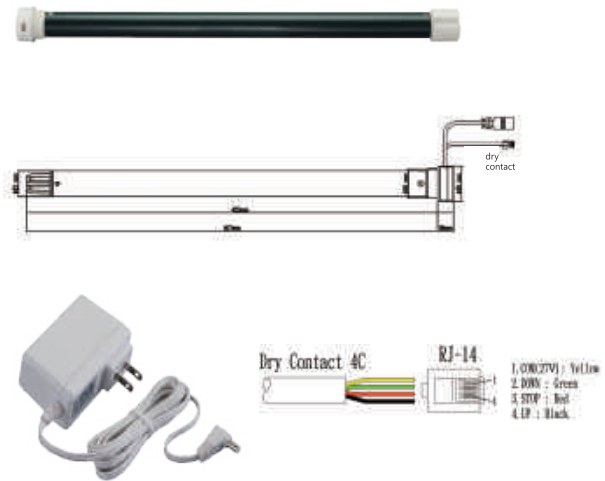
- BLDC motor features stable, high efficiency, accurate, big torque
- Silent operation
- Torque up to 6 Nm
- No carbon, no sparkle, low temperature, constant rotation, ideal for tall windows and heavy fabric, such like wooden venetian and roman shades
- Synchronous movement, perfect alignment of bottom line moving upward and downward
- Electronic setting
- Switching power supply, RF receiver, dry contact module are hidden into tube, tidy outline
- Small light cap from 2.95 cm
- Flexible control options, RF remote, wall switch, dry contact, RS485 control, voice control
- Safety certification: CE, C-Tick, FCC, TELEC, NCC





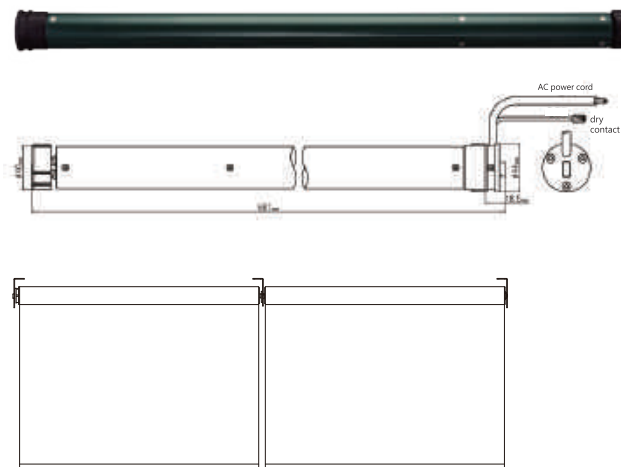
SS25E MOTOR SYSTEM

Model NO.	SS25E-1.5AW	SS25E-1.1BF
motor type	BLDC brushless DC motor	
product dimension	ø25 x 423 mm	
power source	Adapter	Li-ion battery
Power input	100~230VAC 50~60Hz	-
Power output	DC12V	-
Torque	1.5Nm	1.1Nm
Speed	24W	19.2W
Rated output	28 rpm	
Type of control	Standard: RF Optional: dry contact	Standard: RF
Limit setting	electronic	
Protection degree	IP20	
Applications	roller shades, zebra shades	



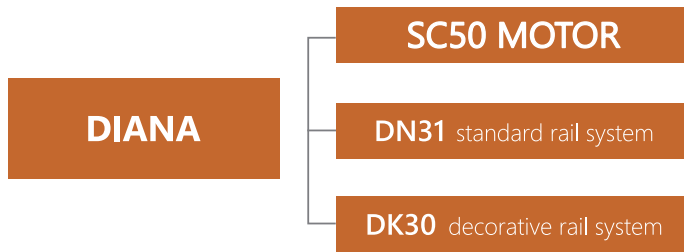
SS40E MOTOR SYSTEM

Model NO.	SS40E-R22	SS40E-R27	SS40E-R34
motor type	BLDC brushless DC motor		
product dimension	Ø38 x 660mm		
power source	Internal switching power supply		
Power input	100~230VAC 50~60Hz		
Power output	DC 27V		
Torque	29W		
Speed	6Nm	5Nm	4Nm
Rated output	22rpm	27rpm	34rpm
Type of control	Standard: RF Optional: dry contact / RS485 / Wifi voice control		
Limit setting	electronic		
Protection degree	IP44		
Applications	roller shades, venetian blinds, sheer shades, zebra shades, honeycomb shades, roman shades		





DIANA motorized curtain rail system



Available for
pleated curtain,
S-wave curtain,
side open, central open



- DC motor applied
- Max. capacity 50 kgs
- Internal switch power supply, dry contact, RF receiver, tidy outline
- Multiple control options, RF remote, wall switch, central control, voice control, manual override
- Decorative rail and standard rail available
- Rail components apply for pleated curtain or S-wave curtain

SC50 MOTOR SYSTEM

Motor type	DC 24V	Product dimension	245 x 93 x 53 mm
Power input	AC 100~240V / 50-60 Hz	RF receiver	Internal 433.92MHz
Max. current	0.6A @120V; 0.3A@240V	External control	Dry contact
Torque	1Nm	Noise level	42 dB (A)
Rated speed	105 +/- 5 rpm	Protection degree	IP30
Manual override	Available	Safety certification	CE



DN31 standard rail system

Rail dimension	30.6W x 29.4H mm
color	white
Max length	8 meter (joiner required)
Max capacity	50kg
Drapery type	s-wave drapery, pleated drapery
Pitch of s-wave runner	6cm, 8 cm
Type of mounting	Mount directly on ceiling by screw Mount by brackets
Brackets	Ceiling mount brackets or wall mount bracket
Motor option	SC50 or Somfy motor

Features

- 1 Silent runner
- 2 Central open or side open
- 3 Rail max. length 8 meter (joiner required)
- 4 Ceiling mount or wall mount, brackets are optional

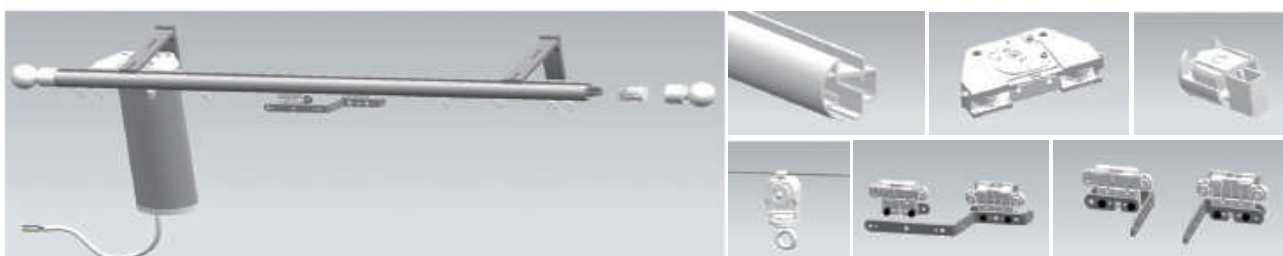


DK30 decorative rail system

Rail dimension	φ 30 mm
Rail surface treatment	anodized coating
Rail pretreatment	milling for motor gearbox socket upon rail on left or right (by order)
Rail color	aluminum original color (standard) or customized color by order
Rail length	customized length by order (from 1M to 6M)
Max. capacity	50 kgs
Drapery type	s-wave drapery, pleated drapery
Pitch of s-wave runner	6 cm, 8 cm
Motor option	SC50 or Somfy motor

Features

- 1 Patented gearbox and rail to shield motor behind curtain fabric
- 2 Customized rail including milling process for gearbox in different motor direction of desired length, max. length up to 6 meter (with or without joiner)
- 3 Silent runner
- 4 Central open or side open
- 5 Particular wall mount bracket
- 6 Favorable decorative finials for options (customized available)





ECHO motorized TDBU honeycomb shades system

ECHO

EHC-110 SYSTEM

EHC-120 SYSTEM

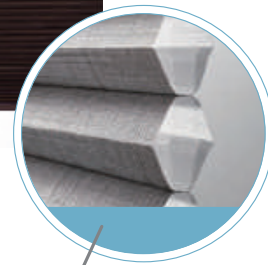
Available for

38mm and 45mm

TDBU honeycomb shades



- BLDC motor applied, silent rotation, accurate positioning, synchronous movement
- Flexible openness operated by remote or central control
- Bottom rail and middle rail move upward or downward simultaneously
- Intelligent detective function to prevent rails collision
- Wide range of fabric dimension, min. width 79cm, max. height 400cm
- Remote control with LCD screen and intuitive buttons, no more annoying restriction of operation sequence
- Group control function available for remote operation, up to 16 channels
- Dry contact and RS485 are available for options



TDBU honeycomb shades Fabric

EHC MOTOR SYSTEM

Model NO	EHC-110	EHC -120
Head rail dimension	55W X 65Hcm	
Min. width	79cm	83cm
Max. width	150cm	300cm
Max. height	400cm	
Max. capacity	8kg	
First punching position	20cm	13cm
Motor type	DC12V BLDC brushless DC motor	
Motor torque/speed	1.1Nm/30rpm	
Power Input	Adapter 110~230V	
RF receiver	Internal RF 433.92MHz	
External control	Dry contact / RS485	
Noise level	42dB(A)	
Fabric width	38mm、45mm	



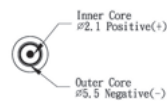
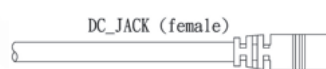
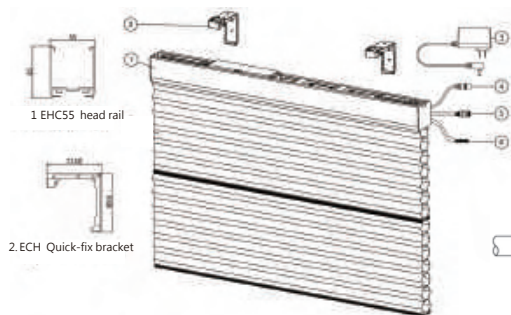
ZEN16DA



SSRC16H white



SSRC16H black



Wireless control



SSRC05E white
SSRC05E black

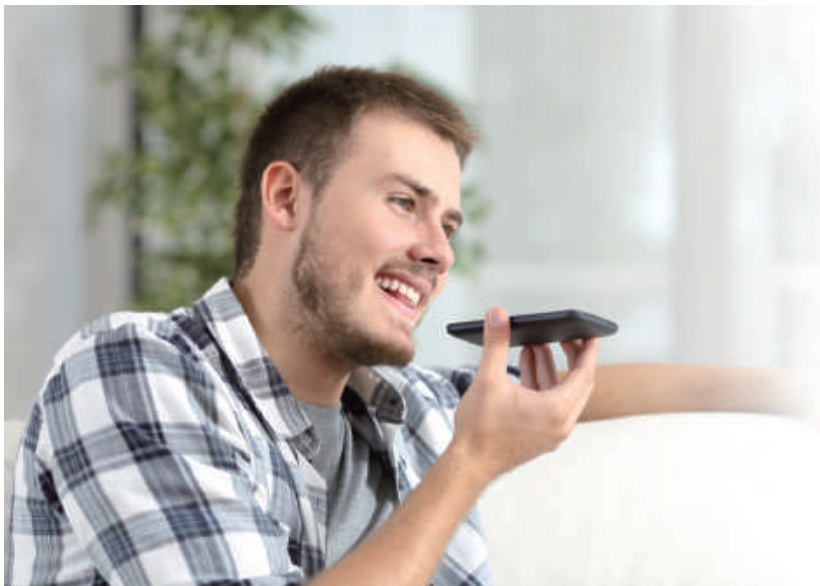


SSRC16 white
SSRC16 black



ZEN16SA ZEN16DA

Model	SSRC05E		SSRC16C		SSRC16H		ZEN16SA	ZEN16DA
Color	white	black	white	black	white	black	white	white
Channel	5CH		16CH		16CH		16CH	
Frequency	433.92 MHz							
Max. codes	16 millions							
Distance	30 ~ 100 meters						30 ~ 85 meters	
Battery	CR2032 x 1						CR2032 x 2	
Dimensions	45.5 x 125.5 x 14 mm						50 x 155 x 16 mm	
Functions	up \ stop \ down \ tilt \ favorite position \ group control \ master control				up \ stop \ down \ favorite position \ group control \ master control		up \ stop \ down \ tilt \ favorite position \ group control \ master control	up \ stop \ down \ favorite position \ group control \ master control
Motor compatible	SS25E \ SS40E \ SC50				EHC-110 \ EHC-120 honeycomb shades		SS25E \ SS40E \ SC50	EHC-110 \ EHC-120 honeycomb shades
Others	wall mount holder \ duplicate							



ZENNO Wifi motor

IoT service is reachable as an ecosystem via WiFi to connect all the smart devices, including blinds, door lock, lights, home security...etc., users may implement IoT service from mobile devices such like cellphone, tablet computer through voice or APP. ZENNO wifi motor is ready to join the smart family.

Voice control Voice command directly to Google speakers. Available for both Android and iOS devices through Google Assistant platform.

Easy setting / update Member of Google ecosystem, grant sufficient database support and real time update, only a few steps to set up by signing up google account. Voice/APP service is switched on once motor is connected to WiFi. No need of gateway or repeater.

Scenario mode Plan different scenario modes among ZENNO wifi motor and other IoT devices as desired.

High reliability Patented technology of quick pairing and encryption, security level equates to financial standard.

It's not just the matter about
OPEN and CLOSE



ZENNO RS485 motor

is embedded with Modbus RTU open serial protocol, which is highly compatible with diversity of control modes, and is able to coordinate with building management system.

Bidirectional communication feedback benefits accurate and flexible percentage control from control panels in an Ethernet frame.

Strong flexibility in management by ID coding and grouping, each group accommodates up to 30 motors. Both hardware and software support extremely reliable control for mass amount of motor operation.

ZENNO RS485 motor and dedicated gateway are the indispensable powerful partners for the applications of sun tracking system and smart buildings.

RS485 network and Modbus protocol



RS485 network

Feature

1. Transmission distance up to 1.2 KM
2. Low signal noise interference
3. Simple wiring planning, easy deployment and management
4. Easy checking if signal interrupt
5. Bidirectional signal communication
6. Stable and popular network frame

Modbus RTU communication

Feature

1. International open serial protocol, high compatibility with automation control products
2. Signal feedback to receive blinds open/close percentage at real time
3. Intuitive 0%~ 100% stepless percentage control
4. Coding motor and grouping by ID
5. Broadcast command to simultaneously control
6. Able to link to Ethernet frame



SAN HSIN

SAN HSIN PLASTECH CO., LTD.

Tel : + 886-3-364-7566

Fax : + 886-3-364-7752

Web : www.sanhsin.com.tw

E-mail : motor.sector@sanhsin.com.tw

